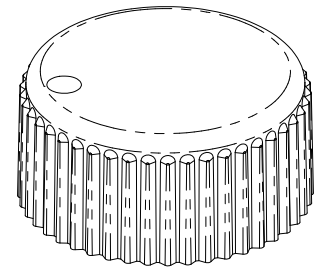
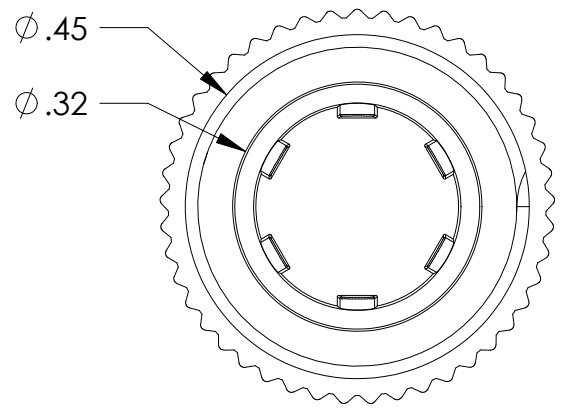
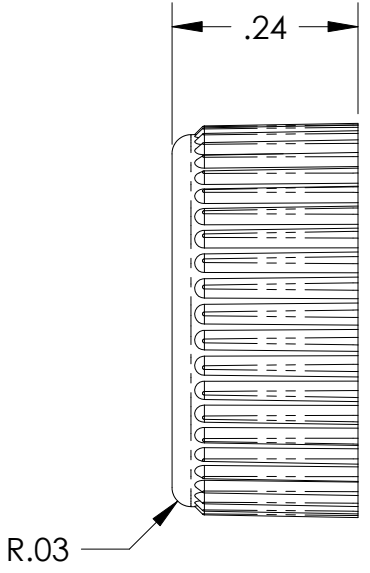
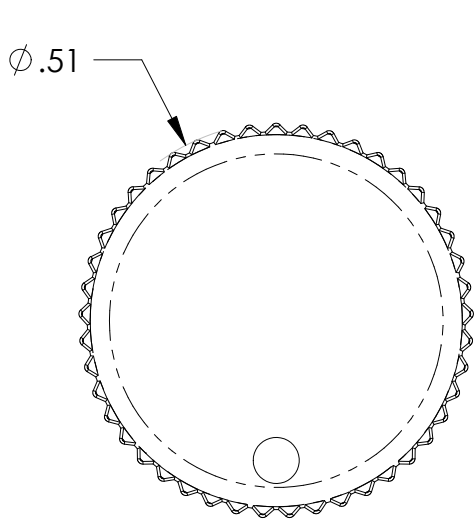


REVISIONS			
REV.	DESCRIPTION	DATE	APPROVED



UNLESS OTHERWISE SPECIFIED  
DIMENSIONS ARE IN INCHES  
TOLERANCES ARE:

FRACTIONS	DECIMALS	ANGLES
+1/64	.XX ± .01	+ 1
	.XXX ± .001	
	.XXXX ± .0005	

MATERIAL: --

FINISH: --

DO NOT SCALE DRAWING

CAD GENERATED DRAWING,  
DO NOT MANUALLY UPDATE

APPROVALS	DATE
DRAWN S. KRAMER	11/23/2004
CHECKED	
RESP ENG	
MFG ENG	
QUAL ENG	



**1310 Thurman Street**  
**Lodi CA, 95240**  
**Ph: (209) 333-2120**  
**Fx: (209) 333-8623**  
tooling@scientificspecialties.com

<h1>2001-00</h1> <h2>CAP, SCREW TUBE</h2>		SIZE	SHRINK RATE	REV.	
		A		--	
SCALE	4:1	JOB NO.	--	SHEET	1 OF 1

PRINTED 11/23/2004